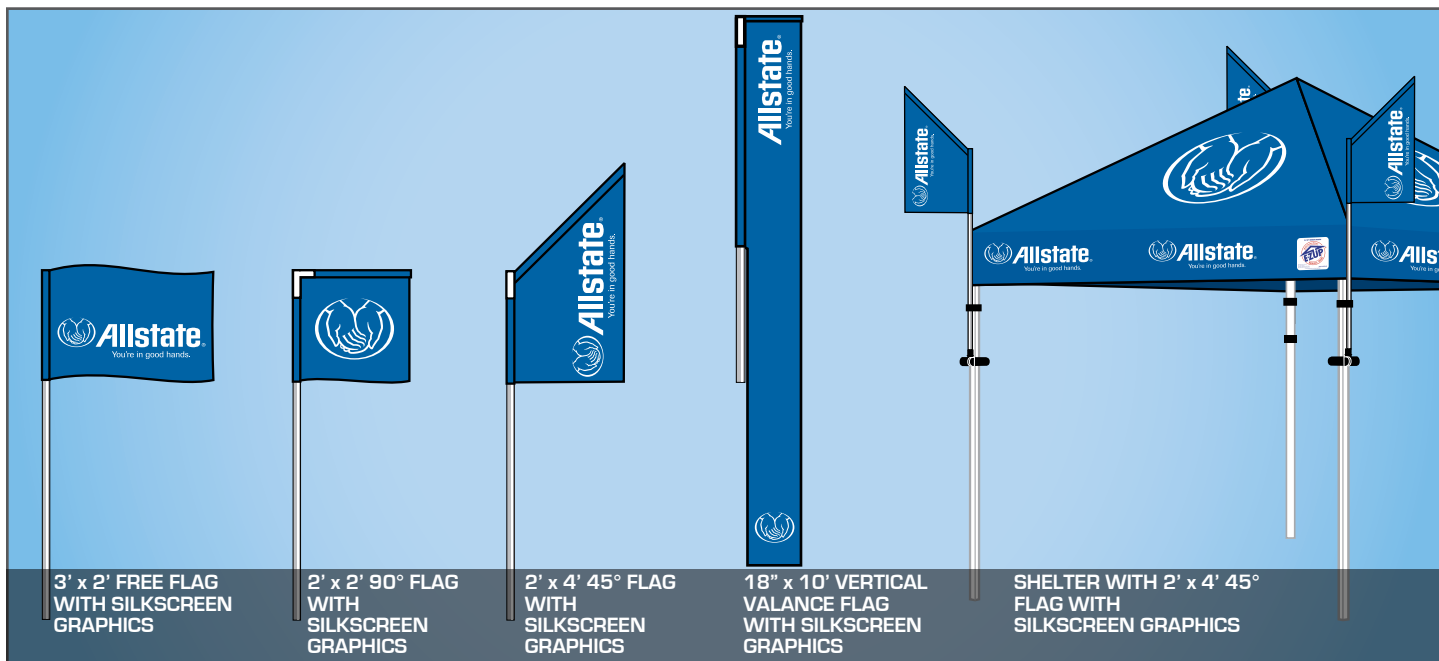




ProFlag™ Corner

The new line of E-Z UP® Professional Flags are available in multiple styles to enhance your marketing appeal. ProFlag™ products easily attach to your shelter using bracket mount points to bring your company graphics nearly anywhere!



3' x 2' FREE FLAG
WITH SILKSCREEN
GRAPHICS

2' x 2' 90° FLAG
WITH
SILKSCREEN
GRAPHICS

2' x 4' 45° FLAG
WITH
SILKSCREEN
GRAPHICS

18" x 10' VERTICAL
VALANCE FLAG
WITH SILKSCREEN
GRAPHICS

SHELTER WITH 2' x 4' 45°
FLAG WITH
SILKSCREEN GRAPHICS

FEATURES:

- ◇ Sets Up in Seconds!™
- ◇ Available in 4 Sizes:
 - 3' x 2' (0.9 m x 0.6 m)
 - 2' x 2' (0.6 m x 0.6 m)
 - 2' x 4' (0.6 m x 1.2 m)
 - 18" x 10' (45 cm x 3.0 m)
- ◇ 60" Silver Powder Coated Steel Pole
- ◇ Pole Arm Assembly Included (Not Needed for 3' x 2' Flag)
- ◇ Nylon Composite Fabric
- ◇ 16 Colors Available
- ◇ Hook and Loop Straps to Secure Flag Pole to Shelter Leg
- ◇ Shelter Mount Bracket Included
- ◇ Professional Carry Bag for Compact Storage
- ◇ 1 Year Warranty

ACCESSORIES:

- ◇ Shelter Mount Bracket
- ◇ Professional Carry Bag

CUSTOM GRAPHIC OPTIONS:

- ◇ Single - Sided Silk Screening
- ◇ Double - Sided Silk Screening
- ◇ Digital - Mirror Image
- ◇ Double - Sided Digital Printing (Not Available with 3' x 2' Free Flag)



2' x 2' 90° FLAG WITH
SILKSCREEN GRAPHICS

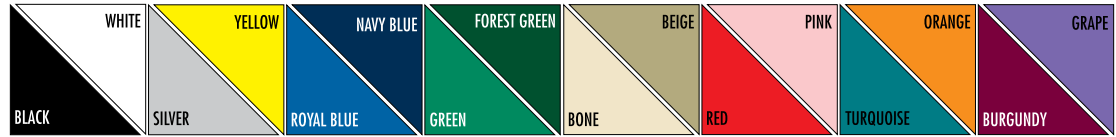


SHELTER MOUNT BRACKET

Authorized Dealer

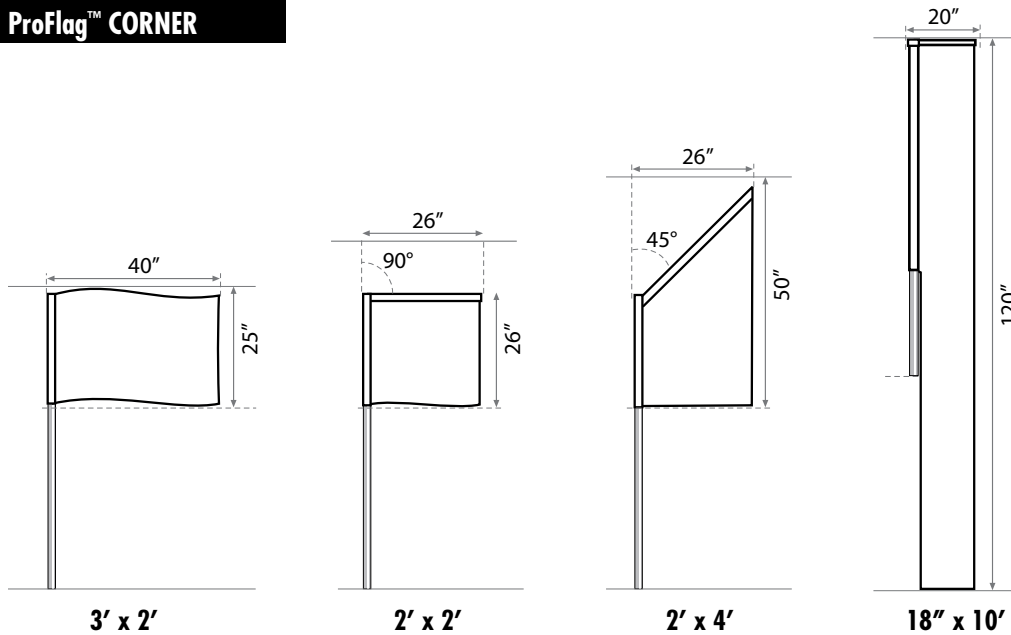


Corner Fabric Colors:



PRODUCT NAME	ProFlag™ Corner			
SIZES	3' x 2'	2' x 2'	2' x 4'	18" x 10'
POLE	Silver Powder Coated Steel			
FABRIC	16 Colors • Nylon Composite Fabric			
PRODUCT INCLUDES	Pole, Flag Fabric, Carry / Storage Bag, Shelter Mount Bracket, Hook and Loop Strap, Pole Arm Assembly (not needed for 3' x 2' flag)			
WARRANTY	1 Year			
PRODUCT COMPATIBILITY	Eclipse™ II, Hut™ II, HUB™, POP® II and Enterprise™ II			
ITEM WEIGHT	5.5 lbs.	6.5 - 7 lbs.	6.5 - 7 lbs.	6.5 - 7.5 lbs.
SHIPPING BOX SIZE	62" L x 7" W x 3" H	62" L x 7" W x 3" H	62" L x 7" W x 3" H	62" L x 7" W x 3" H
SHIPPING WEIGHT	6 lbs.	7 - 7.5 lbs.	7 - 7.5 lbs.	7 - 8 lbs.

ProFlag™ CORNER



**Ask About Our Other E-Z UP®
Instant Products...We Make Life E-Z™!**